

Drawing Number: P8-016-□□□□□

1. Housing Material: Polycarbonate, UL Flammability Rating:

①=UL 94V-0, RoHS Compliant.

②=UL 94V-2, RoHS Compliant.

2. Contacts Type: ①=Straight pin fits Stranded wire only.

②=Two prong angled pin fits Solid/Stranded Wires.

③=Three prong pin fits Solid/Stranded Wires.

3. Gold Plating: ①= Fu" (Flash), ②=2-3u" ( $0.0508 \mu\text{m} \leq A \leq 0.0762 \mu\text{m}$ ),

③= 3u" ( $\geq 0.0762 \mu\text{m}$ ), ④= 6u" ( $\geq 0.1524 \mu\text{m}$ ),

⑤=15u" ( $\geq 0.381 \mu\text{m}$ ), ⑥=30u" ( $\geq 0.762 \mu\text{m}$ ),

⑦=50u" ( $\geq 1.27 \mu\text{m}$ ).

4. Packaging Quantity: ①=1000pcs, ②=500pcs, ③=250pcs, ④=200pcs

⑤= 100pcs, ⑥= 50pcs, ⑦= 25pcs, ⑧= 10pcs

⑨= Other

5. Housing Color: Transparent, other colors are available.

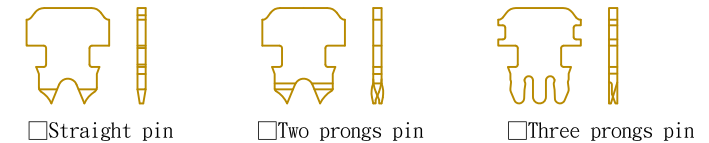
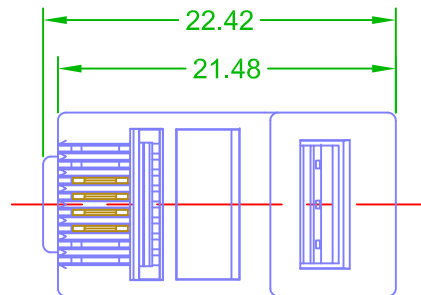
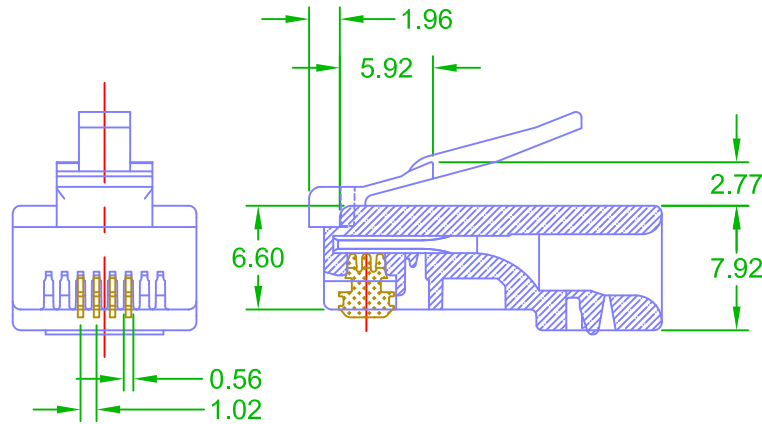
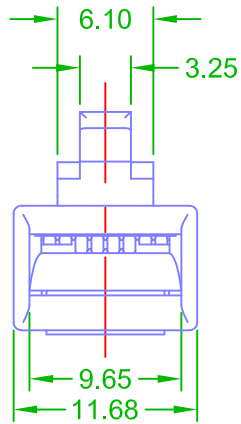
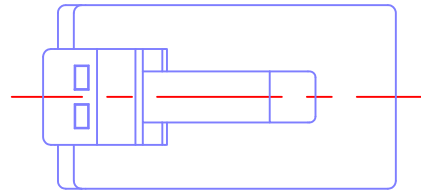
(Red=RD, Orange=OR, Yellow=YL, Green=GN, Blue=BL, Purple=PU, Black=BK)

6. Shielded Material: Brass with nickel plated, or Non-Shielded.

7. Operating Temperature:  $-10^{\circ}\text{C}$  to  $60^{\circ}\text{C}$ .

Housing Material (0, 2)  
 Contacts type (1, 2, 3)  
 Gold plating (F, A, H, B, C, D, E)  
 Packaging Quantity (S, T, U, V, W, X, Y, Z)  
 Housing Color (RD, OR, YL, GN, BL, PU, BK)

NO: PX-0XX-□□□□□



NOTE TOL: ±0.1

B	2018.02.12. Rescheduling coding	3RD		Drawing	Chidy	Date	2004/11/11	UL Code	8P4C	<b>Plug Master</b> INDUSTRIAL CO., LTD www.plugmaster.com.tw
A	An initial version	Unit	m/m	Checked	Chris	Date	2015/04/14	Description		
Rev	Description	Scale	1:1	Approved	Jason	Date	2015/04/14	F-3.4.5.6 pin		